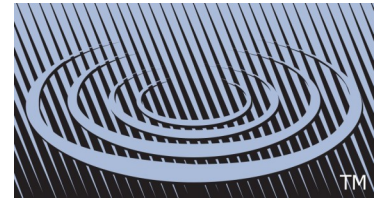


Jackel



Sump Basin Cover



Part Number: SF22B

Features and Benefits

- For use on SF20 and SF22 basins
- Heavy duty structural foam injection molded construction
- Perfect for submersible sump pumps
- Solid design provides maximum versatility
- Works with all submersible sump pumps

The SF22B Sump Basin Cover is ideal for use with a submersible sump pump where a gas tight sump basin seal is not a concern.

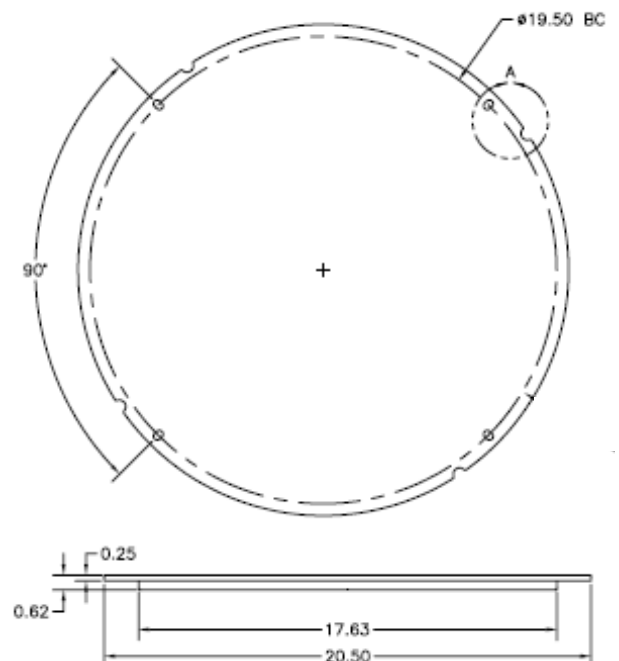
The corrosion proof single piece cover is injection molded structural foam polyethylene and provides superior structural toughness and reliability.

The solid design allows for discharge and vent holes to be drilled in the field allowing for maximum flexibility. All fittings must be purchased separately.

Specifications

- **Cover Material:** Injection molded high density structural foam
- **Structural Thickness:** 5/8" thick

Dimensions



© 2014 Jackel, Inc.
SF22PS, 01/14